



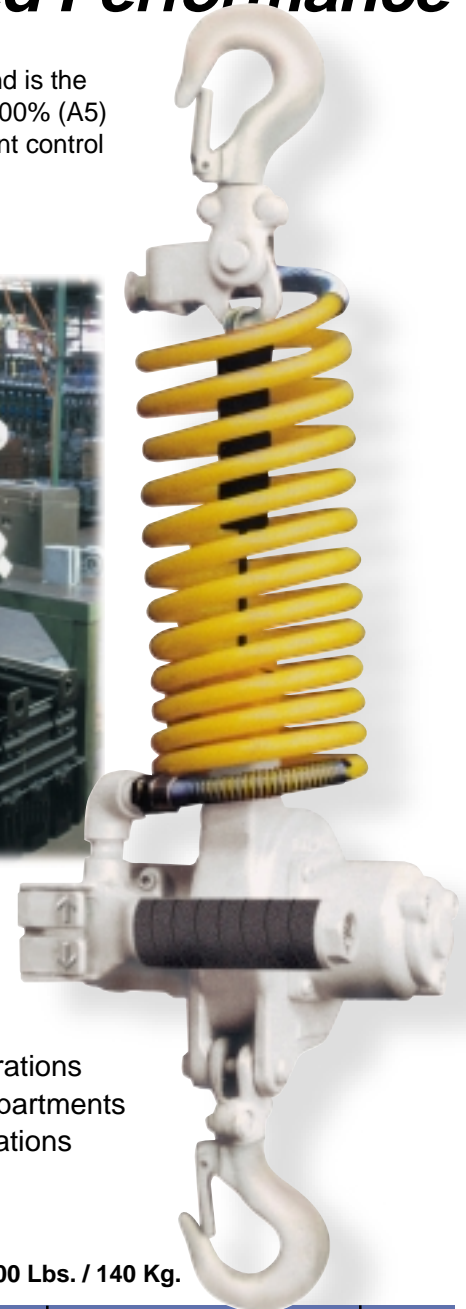
High Performance Lifting

# COFFING<sup>®</sup> HOISTS

## The Ideal Workstation Hoist — Easy to Use, Multiple Applications, Improved Performance

The Coffing model **TMM-140-A** Air Manipulator is lightweight, easy to use, and is the ideal workstation hoist. The unit weighs less than 20 pounds and operates at 100% (A5) duty cycle. Take advantage of improved performance features including pendant control adjustment and new auto-stop valve.

- **Smooth Operator** - Efficient rotary vane motor provides high uniform torque for quick response, and smooth, quiet operation.
- **Easy To Use** - Handle-mounted pendant control can be adjusted for right or left-handed operation. *Sure-grip* handle provides easy one-handed use.
- **Variable Speeds** - Precise and infinite speed control for accurate load spotting.
- **Auto-Stop Valve** - Prevents lowering the unit past the maximum reach; wire rope will not reverse-wind in the hoist.
- **Suspension** - Swivel top and bottom hooks with latches standard, for portability and quick installation.
- **Wire Rope Design** - Self-winding lifting cable stores conveniently inside unit.
- **Disc Brake** - Secures load and eliminates drift when pendant is released.
- **Note** - 3/8" NPT air filter - regulator - lubricator is needed for effective operation. Spark resistant features are not available.



### Ideal Applications Include:

- Assembly Lines ■ Machine Shops ■ Cleaning and/or Dipping Operations
- Manufacturing Plants ■ Power Generating Stations ■ Shipping Departments
- Chemical Facilities ■ Fabricating Shops ■ Repetitive Lifting Applications
- Auto and Truck Repair ■ Handling Fixtures and Dies

### SPECIFICATIONS

TMM-140-A 300 Lbs. / 140 Kg.

Capacity (Lb.) (Kg)	Model Number	Std. Lift (Ft.)	Lift Speeds (FPM)		Air Consumption		Headroom (in.)	Housing Dimension (In.)			Max Air* Pres. (psi)	Net Weight (Lb.)		
			Load (Up)	No Load (Down)	(m <sup>3</sup> /min)	(ft <sup>3</sup> /min)		D	W	L				
300 140	TMM-140-A	6' 6"	36	59	49	39	0.6	21.2	22.55	8.17	8.82	23.64	70 - 95	18.7

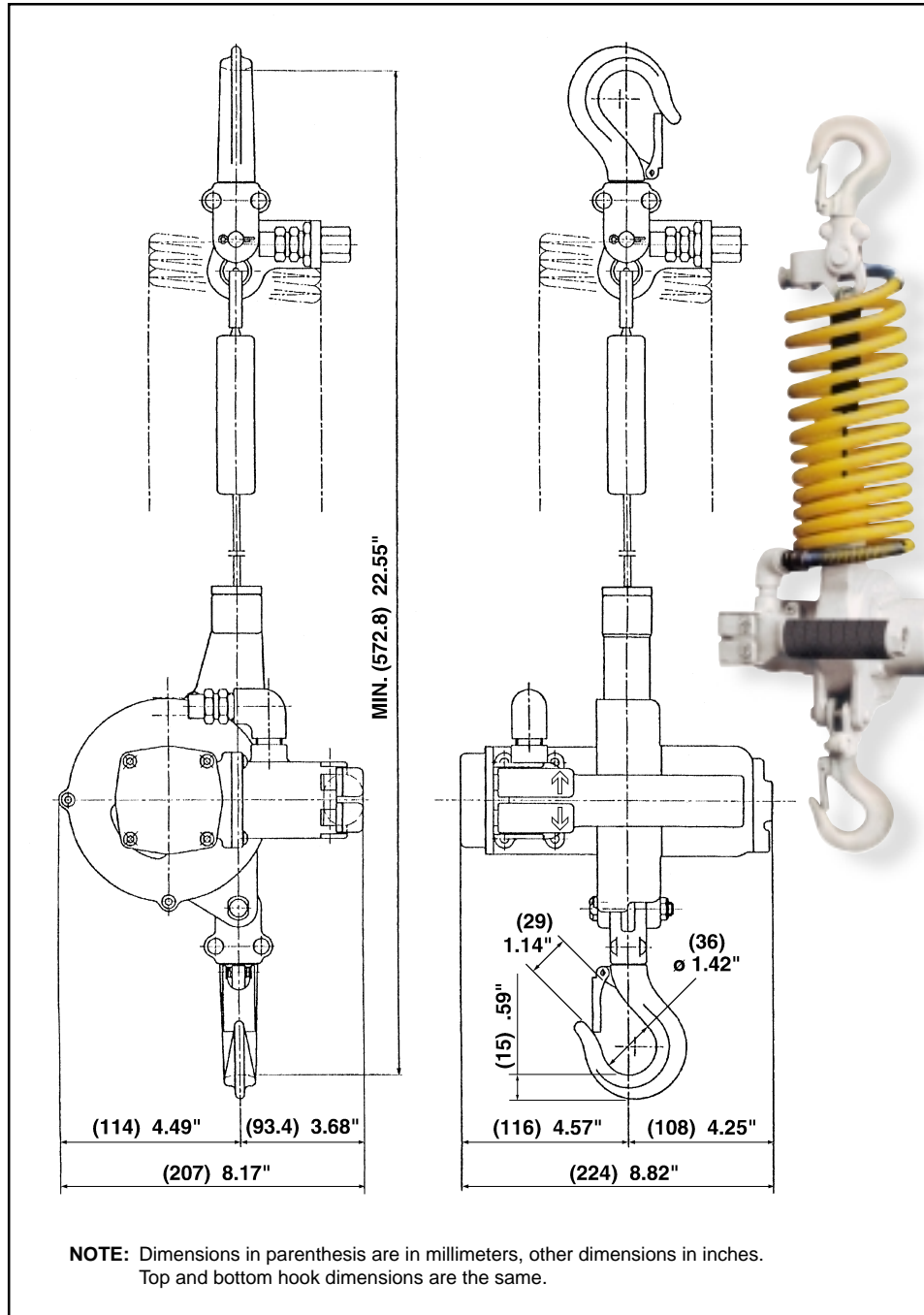
**WARNING**

**DO NOT**

- Lift more than hoist's rated load.
- Operate hoist when load is not centered under hoist.
- Operate hoist with twisted, kinked, or damaged cable.
- Operate damaged or malfunctioning hoist.
- Lift people or loads over people.
- Exceed max rated air pressure.
- Extend lifting cable beyond red marking.
- Operate if hook travel does not agree with control direction.
- Operate hoist in horizontal or inverted position.
- Operate hoist with slack cable. Weight of hoist is required for correct winding of cable on drum.

**DO READ**

- Operational and maintenance manual.
- ANSI B30.16 Safety Standard for Overhead Hoists.



High Performance Lifting

**COFFING**<sup>®</sup>  
**HOISTS**

Country Club Road • PO Box 779  
Wadesboro, NC 28170 USA

Phone: (800) 477-5003 (704) 694-2156

FAX: (800) 374-6853 (704) 694-6829

[www.coffinghoists.com](http://www.coffinghoists.com)