



CRANE SYSTEMS





WE EAT, DRINK AND SLEEP THIS STUFF

CRANEWERKS WAS FOUNDED in 1997 with the idea of leveling the playing field in a US material handling market dominated by huge overseas corporations. By establishing a national network of partner dealerships, CraneWerks was able to buy in volume, restoring competitiveness to small and mid-level American companies in the space. In the decades since, we've maintained our edge by never becoming complacent and never losing faith in the idea that the label "Made in the USA" should always stand for superior quality and craftsmanship ...that it should never be anything less than be a source of pride.

INDUSTRIES SERVED



AUTOMOTIVE



LOCOMOTIVE



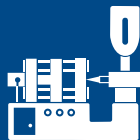
MANUFACTURING



MINING



PAPER



PLASTICS



PETROLEUM



POWER



STEEL

BRIDGE CRANES



UNDERHUNG

High versatility for cranes typically up to 10 tons



TOP RUNNING

Greater capacities and hook height than underhung



DOUBLE GIRDER

Highest capacities, max hook height

UNDERHUNG CRANE SYSTEMS

FREESTANDING RUNWAY SYSTEM



- Pre-engineered for quick delivery
- Bolt-together construction
- Easy installation
- Ships complete with electrification, all hardware and anchor bolts
- Modular design for easy relocation
- All runway systems are designed to AISC specifications



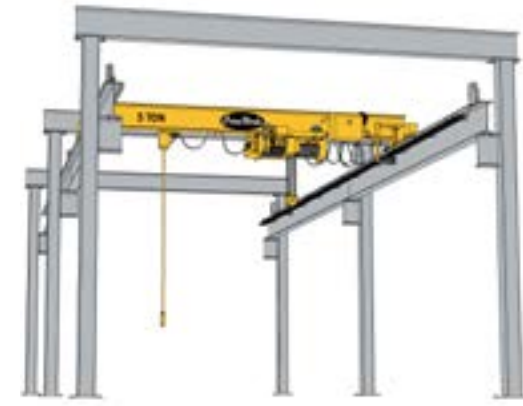
CEILING-MOUNTED RUNWAY SYSTEM

- Direct mount to ceiling truss
- Hanger suspension

Existing building structure must be designed to handle new crane system.



TOP RUNNING CRANE SYSTEMS



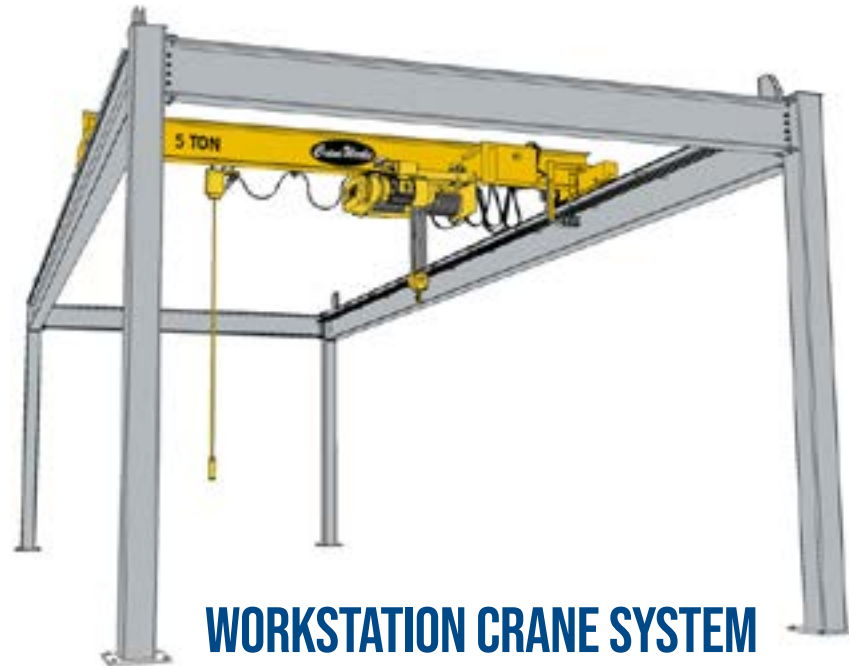
HEADER-BRACED RUNWAY SYSTEM



FREESTANDING RUNWAY SYSTEM



SEMI-FREESTANDING RUNWAY SYSTEM



WORKSTATION CRANE SYSTEM

- Pre-engineered for faster delivery
- Easy installation
- Ships complete with electrification and all hardware
- Modular design for easy relocation
- All runway systems are designed to AISC specifications

MONORAIL SYSTEMS

FREESTANDING AND CEILING-MOUNTED MONORAIL SYSTEMS

FREESTANDING



CEILING-MOUNTED

- Direct mount to ceiling truss
- Hanger suspensions

- Pre-engineered for faster delivery
- Bolt-together construction
- Ships complete with electrification, all hardware and anchor bolts
- Modular design for easy relocation
- All monorail systems are designed to AISC specifications

LIFTING DEVICES



LIFTING BEAM



CUSTOM FORK ATTACHMENTS



CUSTOM MOTORIZED LIFTERS



FIXTURE STORAGE CART



CUSTOM RIGGING EQUIPMENT



ENGINE BLOCK LIFTER

Custom lifters
Lifting magnets
Spreader beams
Turnover devices

Coil lifters
Sheet lifters
Roll lifters
Drum handling

Bag lifters
Pallet lifters
Rotating hook blocks
Vacuum lifters



www.cranewerks.com | 888.544.2121

511 N Range Line Rd
Morristown, IN 46161